

Description

GM7230 series is designed to provide all the active function for a step-down (buck) switching regulator, and drives a maximum load current as high as 2A line and load regulations. GM7230 is available in fixed output voltages of 3.3V, 5V, and a versatile Adjustable output version.

These regulators are simple to use and require minimum number of external components. The features include internal frequency compensation and a fixed-frequency oscillator.

The GM7230 is high-efficiency replacements for popular three-terminal linear regulators, and is requiring a smaller heat sink or even no need heat sink.

GM7230 performs well with standard inductors from most of manufacturers, and simplifying the design of switch-mode power supplies. External shutdown is included with 80 μ A (typical) standby current. The output switch has cycle-by-cycle current limiting as well as thermal shutdown for full protection under fault conditions.

GM7230 operates at a switching frequency of 150 kHz which allowing smaller size filter components than what would be needed with lower frequency switching regulators.

GM7230 series are available in a standard 5-lead TO-220, TO220B and TO263 packages.

Features

- ◆ 3.3V, 5V, 12V and Adjustable output versions
- ◆ Adjustable version output voltage range 1.23V to 37V
- ◆ V_{OUT} accuracy is to $\pm 2\%$ under specified input voltage the output load conditions
- ◆ Input voltage range up to 40V
- ◆ Requires only 4 external components with High efficiency
- ◆ TTL shutdown capability, low power standby mode
- ◆ Built-in thermal shutdown, current limit protection
- ◆ Uses standard inductors
- ◆ 150 kHz fixed frequency internal oscillator

Application

Pre-regulator for linear regulators

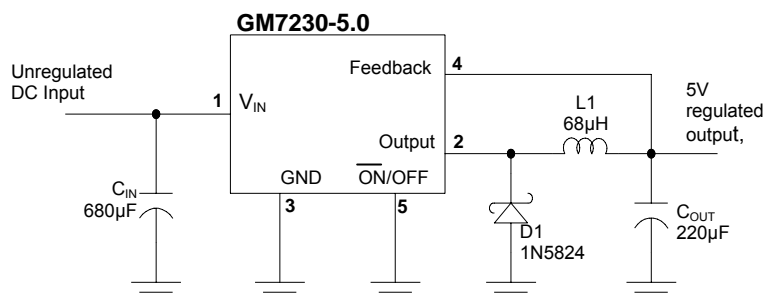
On-card/board switching regulators

High-efficiency step-down buck regulator

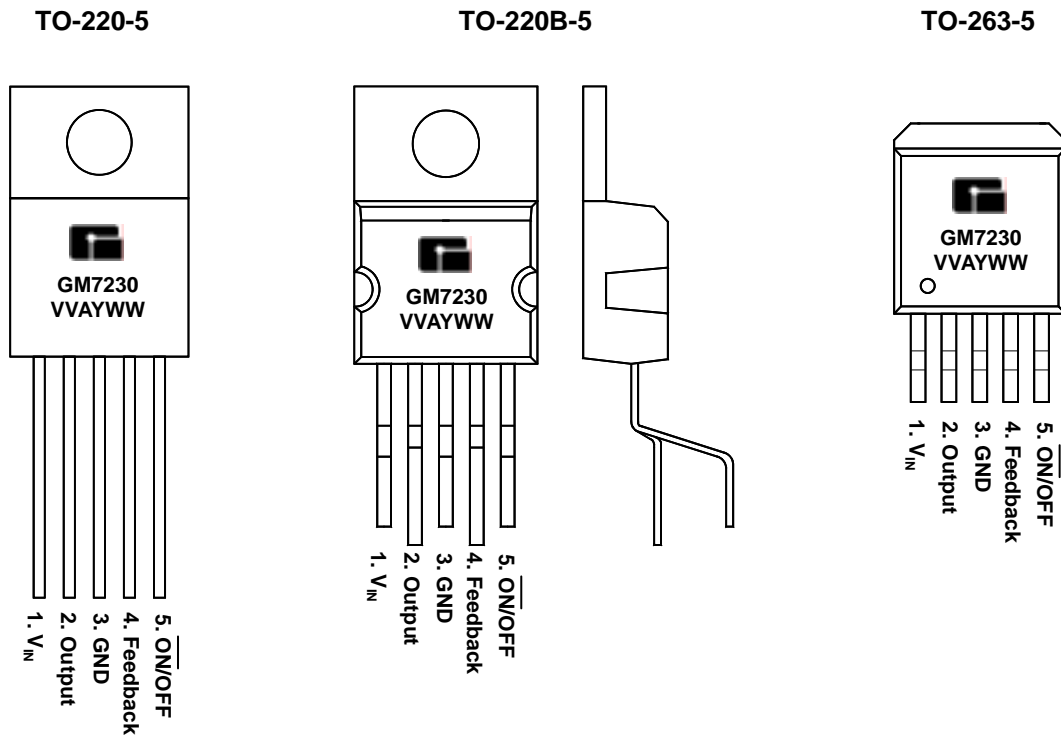
Positive to negative converter (buck-boost)

LCD Monitors

Typical Application Circuits



Marking Information and Pin Configurations (Top View)



VV: Voltage suffix (15 = 1.5V, 50 = 5.0V...A = Adj)
 A: Assembly / Test site code
 Y: Year
 WW: Week

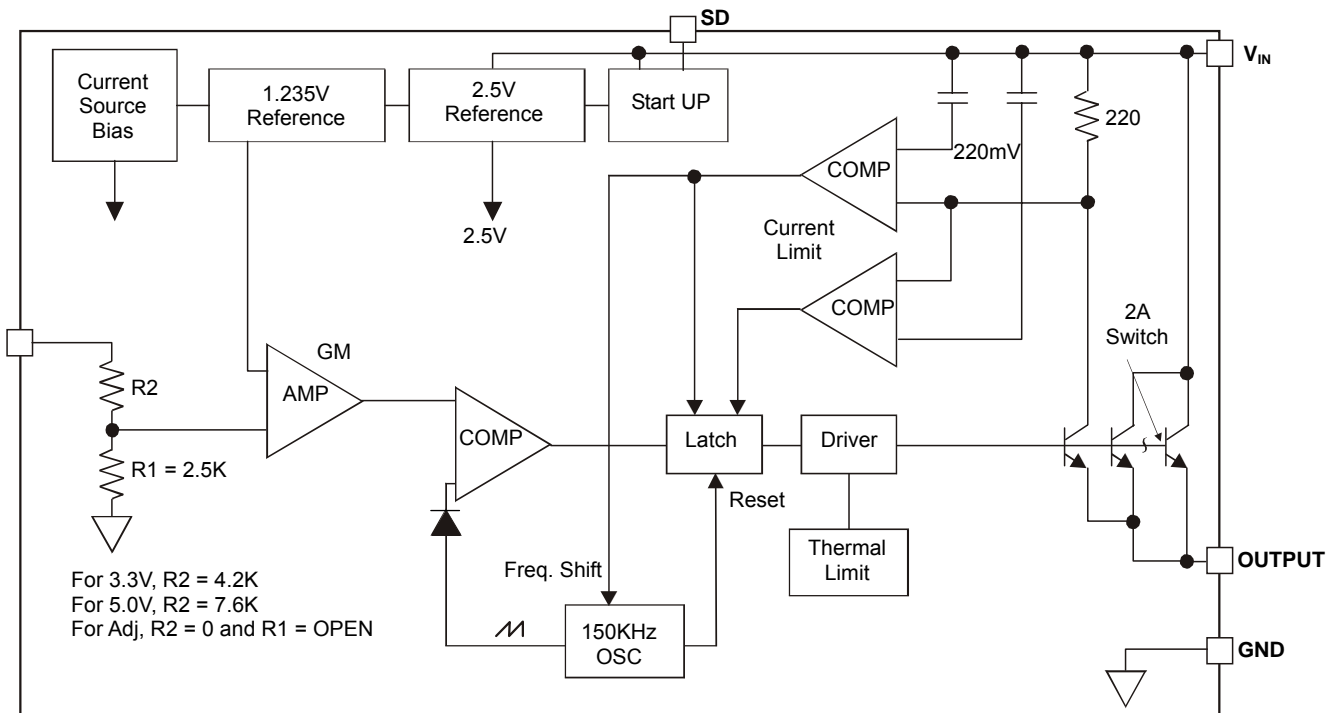
Ordering Information

Ordering Number	Output Voltage	Package	Shipping
GM7230-ATA5T	Adj	TO-263-5	50 Units / Tube
GM7230-ATA5R		TO-263-5	800 Units / Reel
GM7230-ATB5T		TO-220-5	50 Units / Tube
GM7230-ATB5BT		TO-220-5B	50 Units / Tube
GM7230-3.3TA5T	3.3	TO-263-5	50 Units / Tube
GM7230-3.3A5R		TO-263-5	800 Units / Reel
GM7230-3.3B5T		TO-220-5	50 Units / Tube
GM7230-3.3B5BT		TO-220-5B	50 Units / Tube
GM7230-5.0TA5T	5.0	TO-263-5	50 Units / Tube
GM7230-5.0A5R		TO-263-5	800 Units / Reel
GM7230-5.0B5T		TO-220-5	50 Units / Tube
GM7230-12B5BT		TO-220-5B	50 Units / Tube
GM7230-12TA5T	12	TO-263-5	50 Units / Tube
GM7230-12A5R		TO-263-5	800 Units / Reel
GM7230-12B5T		TO-220-5	50 Units / Tube
GM7230-12B5BT		TO-220-5B	50 Units / Tube

Absolute Maximum Ratings (Note 1)

Rating	Value	Unit
Maximum Supply Voltage	45	V
SD Pin Input Voltage / Feed Back Pin Voltage	$-0.3 + V_{IN} + 0.3$	V
Output Voltage to Ground (Steady State)	$-0.3 + V_{IN} + 0.3$	V
Power Dissipation	Internally Limited	-
Thermal Resistance – Junction to Ambient (θ_{JA}) ** 2 square inch of FR-4, double sided, 1oz. minimum copper weight, is recommended	36	/W
Storage Temperature Range	- 65 to 150	
Maximum Junction Temperature	+ 150	
Operating Temperature Range	- 40 to 125	
Minimum EDS Rating (Note 2)	2	kV
Lead Temperature (Soldering, 10 sec)	+ 260	

Block Diagram



Electrical Characteristics: GM7230-ADJ

(Specifications with standard type face are for T = 25 °C, and those with bold face type apply over full Operating Temperature range)

Parameter	Condition	Symbol	Min	Typ	Max	Unit
Output Voltage	$4.5V \leq V_{IN} \leq 40V, 0.2A \leq I_{LOAD} \leq 2A$	V_{OUT}	1.193	1.230	1.267	V
			1.180		1.280	
Efficiency	$V_{IN} = 12V, I_{LOAD} = 2.0A, V_{OUT} = 3V$	η		88		%

Electrical Characteristics: GM7230-3.3

(Specifications with standard type face are for T = 25 °C, and those with bold face type apply over full Operating Temperature range)

Parameter	Condition	Symbol	Min	Typ	Max	Unit
Output Voltage	$4.75V \leq V_{IN} \leq 40V, 0.2A \leq I_{LOAD} \leq 2A$	V_{OUT}	3.168	3.300	3.432	V
			3.135		3.465	
Efficiency	$V_{IN} = 12V, I_{LOAD} = 2.0A$	η		73		%

Electrical Characteristics: GM7230-5.0

(Specifications with standard type face are for T = 25 °C, and those with bold face type apply over full Operating Temperature range)

Parameter	Condition	Symbol	Min	Typ	Max	Unit
Output Voltage	$7V \leq V_{IN} \leq 40V, 0.2A \leq I_{LOAD} \leq 2A$	V_{OUT}	4.800	5.000	5.200	V
			4.7500		5.250	
Efficiency	$V_{IN} = 12V, I_{LOAD} = 2.0A$	η		80		%

Electrical Characteristics: GM7230-12

(Specifications with standard type face are for T = 25 °C, and those with bold face type apply over full Operating Temperature range)

Parameter	Condition	Symbol	Min	Typ	Max	Unit
Output Voltage	$15V \leq V_{IN} \leq 40V, 0.5A \leq I_{LOAD} \leq 3A$	V_{OUT}	11.52	12.00	12.48	V
			11.40		12.60	
Efficiency	$V_{IN} = 15V, I_{LOAD} = 3.0A$	η		88		%

Electrical Characteristics: All Output Voltage Versions

(Specifications with standard type face are for $T_J = 25^\circ\text{C}$, and those with bold face type apply over full Operating Temperature range. Unless otherwise specified, $V_{IN} = 12\text{V}$)

Parameter	Condition	Symbol	Min	Typ	Max	Unit
Feedback Bias Current	$V_{FB} = 1.3\text{V}$ (Adjustable Version Only)	I_b	-	10	50 100	nA
Oscillator Frequency	(Note 6)	f_o	127 110	150	173 173	kHz
Saturation Voltage	$I_{OUT} = 2\text{A}$ (Notes 7, 8)	V_{SAT}	-	1.16	1.4 1.5	V
Max Duty Cycle (ON)	(Note 8)	DC		100	-	%
Min Duty Cycle (OFF)	(Note 9)	DC		0		%
Current Limit	Peak Current (Notes 7, 8)	I_{CL}	3.4			A
Output Leakage Current	Output = 0V (Notes 7, 9, 10)	I_L	-	-	100	μA
	Output = -0.9V (Note 10)		-	2	-	mA
Quiescent Current	(Note 9)	I_Q	-	5	-	mA
Standby Quiescent Current	SD Pin = 5V (OFF), Note 10	I_{STBY}	-	70	200	μA
SD Pin Logic Input Level	Low (ON)	V_{IH}	-	1.3	0.6	V
	High (OFF)	V_{IL}	2.0	1.3	-	
SD Pin Input Current	$V_{LOGIC} = 2.5\text{V}$ (OFF)	I_H		5	15	μA
	$V_{LOGIC} = 0.5\text{V}$ (ON)	I_L		0.02	5	μA

Note 1: Absolute Maximum Ratings indicate limits beyond which damage to the device may occur. Operating Ratings indicate conditions for which the device is intended to be functional, but do not guarantee specific performance limits. For guaranteed specifications and test conditions, see the Electrical Characteristics.

Note 2: The human body model is a 100pF capacitor discharged through a 1.5K Ω resistor into each pin.

Note 3: Typical numbers are at 25°C and represent the most likely norm.

Note 4: All limits guaranteed at room temperature (standard type face) and at temperature extremes (bold type face). All room temperature limits are 100% production tested. All limits at temperature extremes are guaranteed via correlation using standard Statistical Quality Control (SQC) methods. All limits are used to calculate Average Outgoing Quality Level (AOQL).

Note 5: External components such as the catch diode, inductor, input and output capacitors, and voltage programming resistors can affect switching regulator system performance. When the GM7230 is used as shown in the Figure 1 test circuit, system performance will be as shown in system parameters section of Electrical Characteristics.

Note 6: The switching frequency is reduced when the second stage current limit is activated.

Note 7: No diode, inductor or capacitor connected to output pin.

Note 8: Feedback pin removed from output and connected to 0V to force the output transistor switch ON.

Note 9: Feedback pin removed from output and connected to 12V for the 3.3V, 5V, and the ADJ. version.

Test Circuit and Layout Guidelines

Careful layout is important with any switching regulators. Rapidly switching currents associated with wiring inductance generate voltage transients which can cause problems. To minimize inductance and ground loops, the lengths of the leads indicated by heavy lines in Figure 1&2 below should be kept as short as possible. Single point grounding (as indicated) or ground plane construction should be used for best results. When using the Adjustable version, place the programming resistors as close as possible to GM7230, to keep the sensitive feedback wiring short.

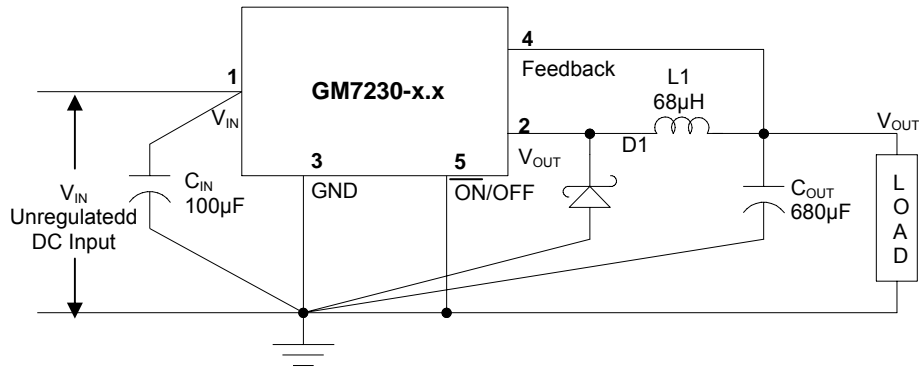


Figure 1 Fixed Output Voltage Versions

$C_{IN} = 470\mu\text{F}$, Aluminum Electrolytic
 $C_{OUT} = 220\mu\text{F}$, 25V, Aluminum Electrolytic
 D1 = Schottky, 5A/40V
 L1 = 68µH

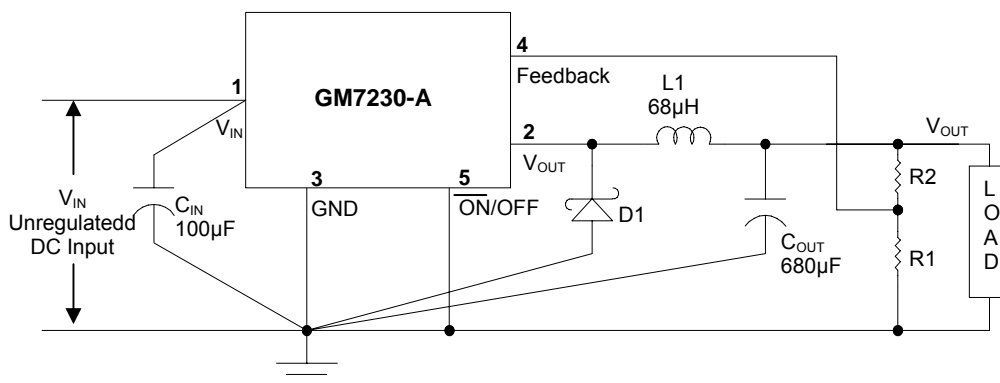


Figure 2 Adjustable Output Voltage Versions

$C_{IN} = 470\mu\text{F}$, Aluminum Electrolytic
 $C_{OUT} = 220\mu\text{F}$, 25V, Aluminum Electrolytic
 D1 = Schottky, 5A/40V
 L1 = 68µH

$$V_{OUT} = V_{REF} (1 + R2/R1)$$

Typical Performance Characteristics

Figure 3. Switch Saturation Voltage

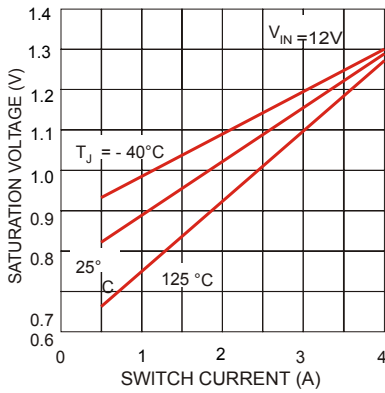


Figure 4. Switch Current Limit

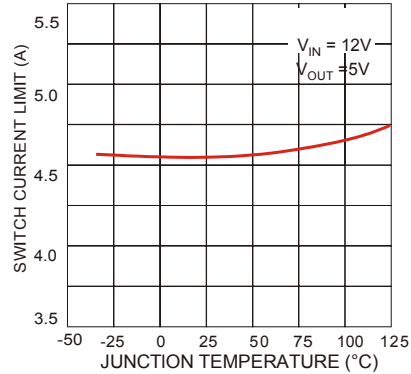


Figure 5. Dropout Voltage

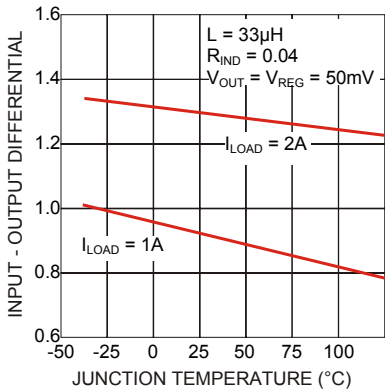


Figure 6. Operating Quiescent Current

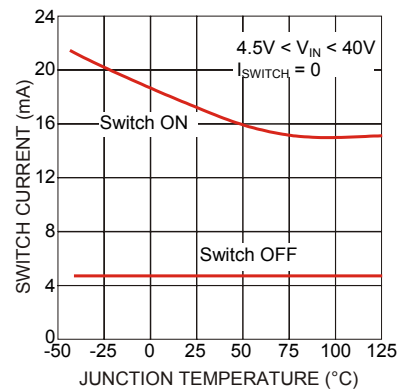


Figure 7. Shutdown Quiescent Current

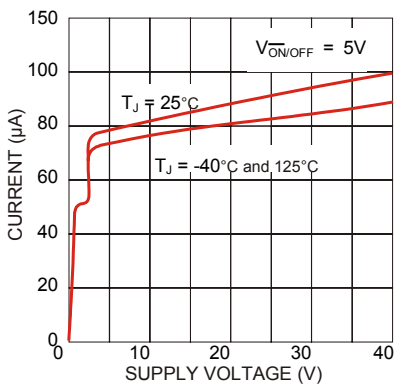


Figure 8. Minimum Operating Supply Voltage

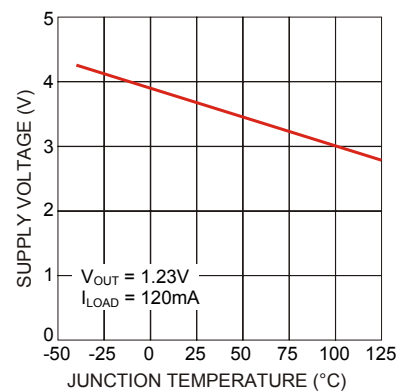


Figure 9. SD Pin Current (Sinking)

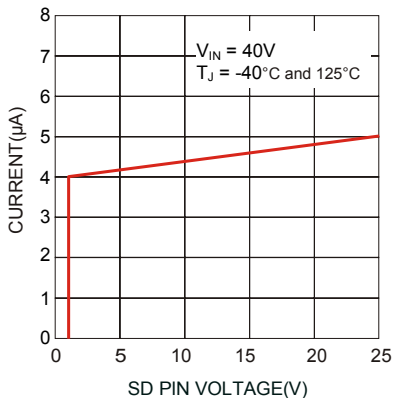
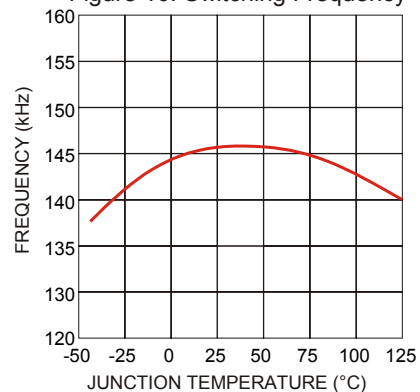
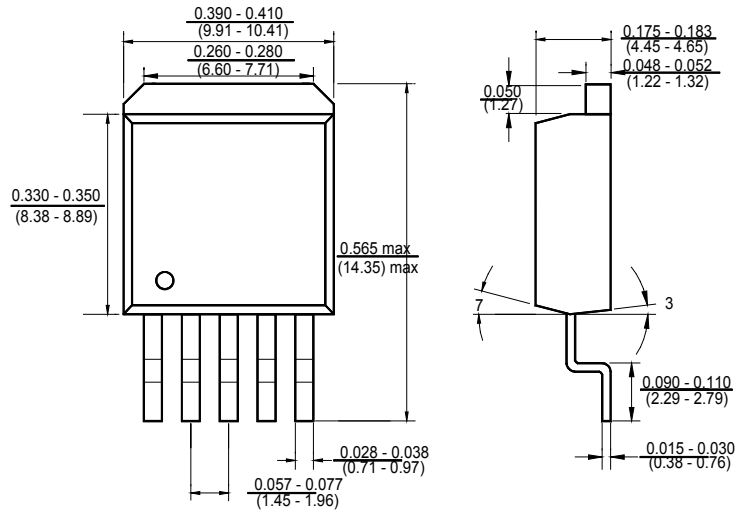


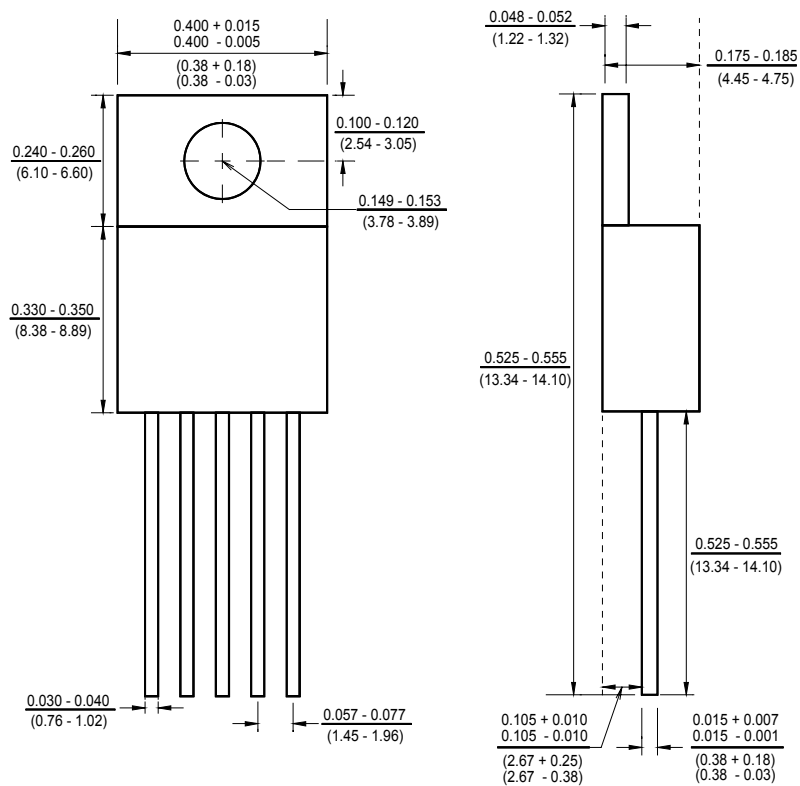
Figure 10. Switching Frequency



Package Outline Dimensions – TO-263-5



Package Outline Dimensions – TO-220-5



Ordering Number

<u>GM</u>	<u>7230</u>	<u>A</u>	<u>TA5</u>	<u>R</u>
APM Gamma Micro	Circuit Type	Output Voltage A: Adj 3.3 = 3.3V 5.0 = 5.0V 12 = 12.0V	Package Type TA5: TO263-5 TB5: TO-220-5 TB5B: TO-220B-5	Shipping Type R: Taping & Reel T: Tube